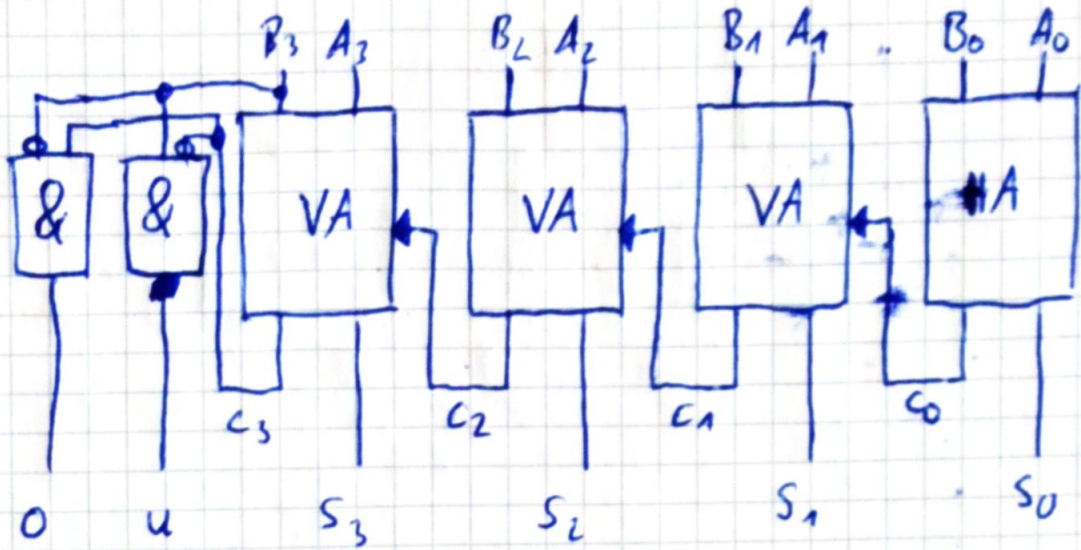


8.2K



B_3	C_3	σ	u
0	0	0	0
0	1	1	0
1	0	0	1
1	1	0	0

$$\sigma = 1 \Leftrightarrow B_3 = 0 \wedge C_3 = 1 \Rightarrow \sigma = \overline{B_3} C_3$$

$$u = 1 \Leftrightarrow B_3 = 1 \wedge C_3 = 0 \Rightarrow u = B_3 \overline{C_3}$$

8.4 K

